



ORION mini
7kW & 22kW



MC CHARGERS

"Your Journey, Our Commitment."

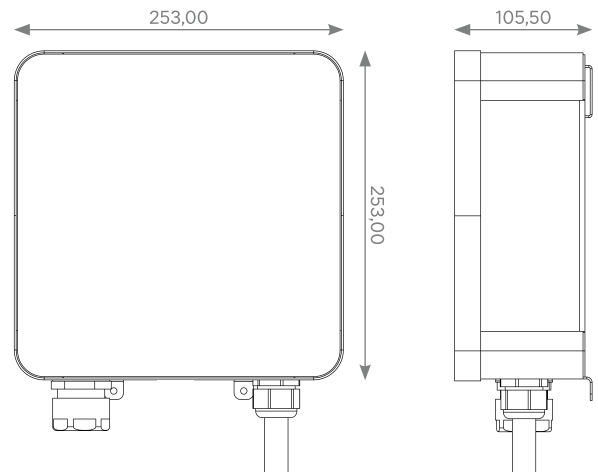
ORION mini 7kW & 22kW

Single or Three-phase AC charging station for domestic, private or semi-public use.

- WiFi, Ethernet, GSM
- IP55, IK10
- RFID
- LED Indication
- S2W OCPP 1.6 Json
- DC leakage
- 2 years warranty
- Dynamic Load Management
- Remote Firmware Updates

Charging Output:	1 AC
Max. Output Power:	7kW or 22kW
Installation:	Ground or Wall mounted
Network Connection:	WiFi, Ethernet or GSM
Communication Protocol:	S2W & OCPP 1.6Json

- Easy use, install and remote firmware update.
- Compatible with all electric vehicles of the market.
- Quality & high design aesthetics.
- Domestic, private or semi-public use.
- Best suited for domestic use.
- Aluminum enclosure & plexiglas.
- RFID or phone app user identification.



ORION mini 7&22kW

With 5m Mode 3 tethered cable Type 2

Built in 5m (or 7m available) length, Mode 3, tethered cable with Type 2 outlet for easy and fast connection with the electric vehicle.

Ground Mounted Options



Base M & Back OM



Base M & Back 2xOM

Technical Specifications		OM-07HG	OM-22HG
AC Input Characteristics	AC Input Voltage	230VAC ± 10%	400VAC ± 10%
	Input Type	1P + N + PE	3P + N + PE
	AC Input Current	32A	32A / phase
	Frequency	50 Hz	
AC Output Characteristics	AC Voltage Output	230VAC	400VAC
	Power	7kW max	22kW max
	AC Output Current	32A	32A / phase
Operating Conditions	Operating Temperature	-25°C - +65°C (derating of power above +50°C)	
	Storage Temperature	-30oC – +70oC	
	Humidity	5% - 95% RH (no condensation)	
	Installation Altitude	Up to 2000m	
Construction	Enclosure	Aluminum, Plexiglas	
	IP Protection	IP55	
	Mechanical Impact IK	IK10	
	Charging Mode	Mode 3	
	Outputs	Built in 5m (or 7m) length tethered cable with Type 2 output *	
	Charger Dimensions	253x253x105,5mm (width x height x depth)	
	Weight	5kg	
Electronic Parts	Energy Meter	Built in energy meter	
	Current Setting	AC output current adjustment from 10% up to 100%	
	Protective Devices	Built in DC Residual Current Protection 6mA (DC leakage 6mA according to EN 62955)	
		Ground loss detection	
		Overtemperature Protection (OTP)	
		Overvoltage (OVP) & Undervoltage (UVP) Protection	
		In distribution panel: MCCB 2P Type C 40A (or fuses 35 A) to protect the charger and cabling	In distribution panel: MCCB 4P Type C 40A (or fuses 35 A) to protect the charger and cabling
	In distribution panel: Residual Current Protection RCD 2P Type A 40A	In distribution panel: Residual Current Protection RCD 4P Type A 40A	
	Surge Protection Device Type 2 according to EN 60364 in the distribution panel		
	Communication Protocol	S2W & OCPP 1.6 JSON	
User Identification	RFID & phone app		
Connectivity	WiFi, Ethernet or GSM		
Installation	Exposive Zones	Installation outside ATEX zones	
	Grid Substation	Not applicable	
	Cable Cross Section	3x10mm ² (cable length up to 60m), 3x16mm ² (cable length >60m)	5x10mm ² (cable length up to 120m), 5x16mm ² (cable length >100m)
Certification	Regulations	IEC EN 61851-1:2017, IEC EN 61851-1:2019, IEC 61851-21-2:2018, EN 62196- 1:2014, EN 62196-2:2016, CE	
Warranty	Time of Warranty	2 years	

* All models (**OM-07HG-7M**, **OM-22HG-7M**) are available with 7m length tethered cable.

The private charger ORION mini has built in DC residual current detection 6mA. During installation, the charging station should be protected at the distribution panel with RCD Type A 40A, MCB Type C 40A and SPD Type 2 according to recent European standard EN 60364.



Thessaloniki-Gorgopotamou
P.C. 570 22, Thessaloniki Industrial Area Sindos, Greece

t: (+30) 231 60 200 47
e: info@mc-chargers.com
www.mc-chargers.com



Official Distributor: