



ORION midi
7kW & 22kW



MC CHARGERS

"Your Journey, Our Commitment."

ORION midi 7kW & 22kW

Single or Three-phase AC charging station for private or semi-public use.

- WiFi, Ethernet, GSM
- IP55, IK10
- RFID
- LED Indication
- S2W OCPP 1.6 Json
- DC leakage
- 2 years warranty
- MID Meter & RCD Optional
- Dynamic Load Management
- Remote Firmware Updates

Charging Output:	1 AC
Max. Output Power:	7kW or 22kW
Installation:	Ground or Wall mounted
Network Connection:	WiFi, Ethernet or GSM
Communication Protocol:	S2W & OCPP 1.6Json

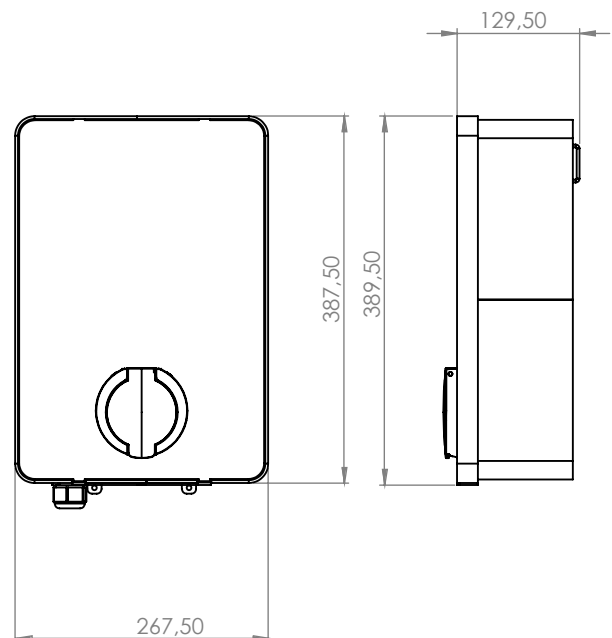
- Easy use, install, and remote firmware update.
- Compatible with all electric vehicles of the market.
- Quality & high design aesthetics.
- Private or semi-public use.
- Ideal for private installations such as hotels, work areas, restaurants, stores.
- Aluminum enclosure & Plexiglas
- RFID or phone app user identification.

ORION midi 7kW & 22kW



With Type 2 Socket Outlet

Type 2 socket outlet with protective cap and locking mechanism.



Bases for ORION mini & ORION midi

Possibility of **ground mounting** of charging stations ORION mini 7kW & 22kW και ORION midi 7kW & 22kW.



Base MD



Base M & Back O D



Base M & Back 2xOD



Base M & 2 x Back OD

Technical Specifications

		ORION midi 7kW	ORION midi 22kW	
AC Input Characteristics	AC Input Voltage	230VAC ± 10%	400VAC ± 10%	
	Input Type	1P + N + PE	3P + N + PE	
	AC Input Current	32A	32A / phase	
	Frequency	50 Hz		
AC Output Characteristics	AC Voltage Output	230VAC	400VAC	
	Power	7kW max	22kW max	
	AC Output Current	32A	32A / phase	
Operating Conditions	Operating Temperature	-25°C - +65°C (derating of power above +50°C)		
	Storage Temperature	-30oC – +70oC		
	Humidity	5% - 95% RH (no condensation)		
	Installation Altitude	Up to 2000m		
Construction	Enclosure	Aluminum, Plexiglass		
	IP Protection	IP55		
	Mechanical Impact IK	IK10		
	Charging Mode	Mode 3		
	Outputs	Socket outlet Type 2 with protective cap and locker or built in 5m(or 7m) length tethered cable with Type 2 output *		
	Charger Dimensions	265x385x143mm (width x height x depth)		
	Weight	5kg		
Electronic Parts	Energy Meter	Available with Built in MID energy meter		
	Current Setting	AC output current adjustment from 10% up to 100%		
	Protective Devices	Built in DC Residual Current protection 6mA (DC leakage 6mA according to 62955)		
		Available with built in RCD Type A (30mA AC leakage)		
		Ground Loss Detection		
		Overvoltage (OVP) & Undervoltage (UVP) Protection		
		Overtemperature Protection (OTP)		
	In distribution panel: MCCB 2P Type C 40A (or fuses 35 A) to protect the charger and cabling and Residual Current Protection RCD 2P Type A 40A (if not available on the charging station) **		In distribution panel: MCCB 4P Type C 40A (or fuses 35 A) to protect the charger and cabling and Residual Current Protection 4P Type A 40A	
	In distribution panel: SPD Type 2 (if not available on the charging station)			
	Communication Protocol	S2W & OCPP 1.6 JSON		
User Identification	RFID & phone app			
Connectivity	WiFi, Ethernet or GSM			
Installation	Exposive Zones	Installation outside ATEX zones		
	Grid Substation	Not applicable		
	Cable Cross Section	3x10mm ² (cable length up to 60m), 3x16mm ² (cable length >60m)	5x10mm ² (cable length up to 120m), 5x16mm ² (cable length >100m)	
Certification	Regulations	LVD 2014/35/EU, IEC EN 61851-1:2017, IEC EN 61851-1:2019 IEC 61851-21-2:2018, EN 62196-1:2014, EN 62196-2:2016, 2014/30/EU, EMC EN 61000, CE		
Warranty	Time of Warranty	2 years		

* All models (OD-22CG-7M, OD-22RG-7M, OD-22MG-7M, OD-22HG-7M, OD-07CG-7M, OD-07HG-7M, OD-07RG-7M, OD-07MG-7M, OD22SRS, OD22SRG, OD22SMS, OD22SMG) are available with 7m length tethered cable.

ORION midi Models - Technical Specifications

	SOCKET TYPE 2	CABLE 5M TYPE 2	MID METER	RCD A	RFID	WIFI	DC LEAKAGE	OPTIONAL GSM, ETHERNET	SPD TYPE 2
OD07CS	•		•	•	•	•	•	•	
OD22CS	•		•	•	•	•	•	•	
OD07CG		•	•	•	•	•	•	•	
OD22CG		•	•	•	•	•	•	•	
OD07RS	•			•	•	•	•	•	
OD22RS	•			•	•	•	•	•	
OD07RG		•		•	•	•	•	•	
OD22RG		•		•	•	•	•	•	
OD07MS	•		•		•	•	•	•	
OD22MS	•		•		•	•	•	•	
OD07MG		•	•		•	•	•	•	
OD22MG		•	•		•	•	•	•	
OD07HS	•				•	•	•	•	
OD22HS	•				•	•	•	•	
OD07HG		•			•	•	•	•	
OD22HG		•			•	•	•	•	
OD22SRS	•			•	•	•	•	•	•
OD22SRG		•		•	•	•	•	•	•
OD22SMS	•		•		•	•	•	•	•
OD22SMG		•	•		•	•	•	•	•



Θεσσαλονίκη - Γοργοποτάμου
Τ.Κ. 570 22, ΒΙ.ΠΕ.Θ. Σίνδος, Ελλάδα

t: (+30) 231 60 200 47
e: info@mc-chargers.com
www.mc-chargers.com



Επίσημος Αντιπρόσωπος: